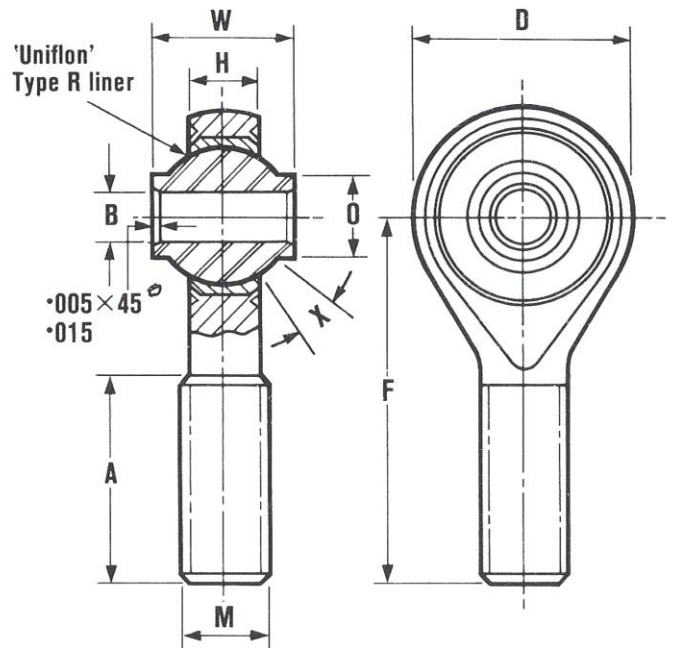


# Rosejoint

## high angle self lubricating rod end bearings

### Specification

<b>Housing</b>	Stainless steel. Heat treated.
<b>Inner housing</b>	Stainless steel.
<b>Ball</b>	Stainless steel. Through hardened.
<b>Liner</b>	'Uniflon' type R— reinforced P.T.F.E. fibre.



## RCA series

Bearing number	B	W	H	O	D	F	A	M	X	Ball diam	Maximum static radial load in pounds approx.	Weight in pounds approx.
	Bore	Ball width	Housing width	Ball flat diam	Head diam	Centre length	Thread length	Thread size	Angle deg.			
RCA 06	+0.0000 -0.0005	+0.000 -0.005	+0.005 -0.005	+0.000 -0.010	+0.035 -0.010	+0.010 -0.010	Min.	UNF 2A	Min.			
RCAL 06	.3750	.813	.355	.500	1.125	2.125	1.344	.437-20	23	.781	7,150	.16
RCA 07	.4375	.875	.355	.600	1.312	2.438	1.469	.500-20	23	.875	10,700	.25
RCAL 07												
RCA 08	.5000	.937	.411	.669	1.500	2.625	1.594	.625-18	24	1.000	15,000	.40
RCAL 08												

All dimensions given in inches.

"L" in the 'Rosejoint' reference number denotes left hand thread, i.e. RCAL 08.